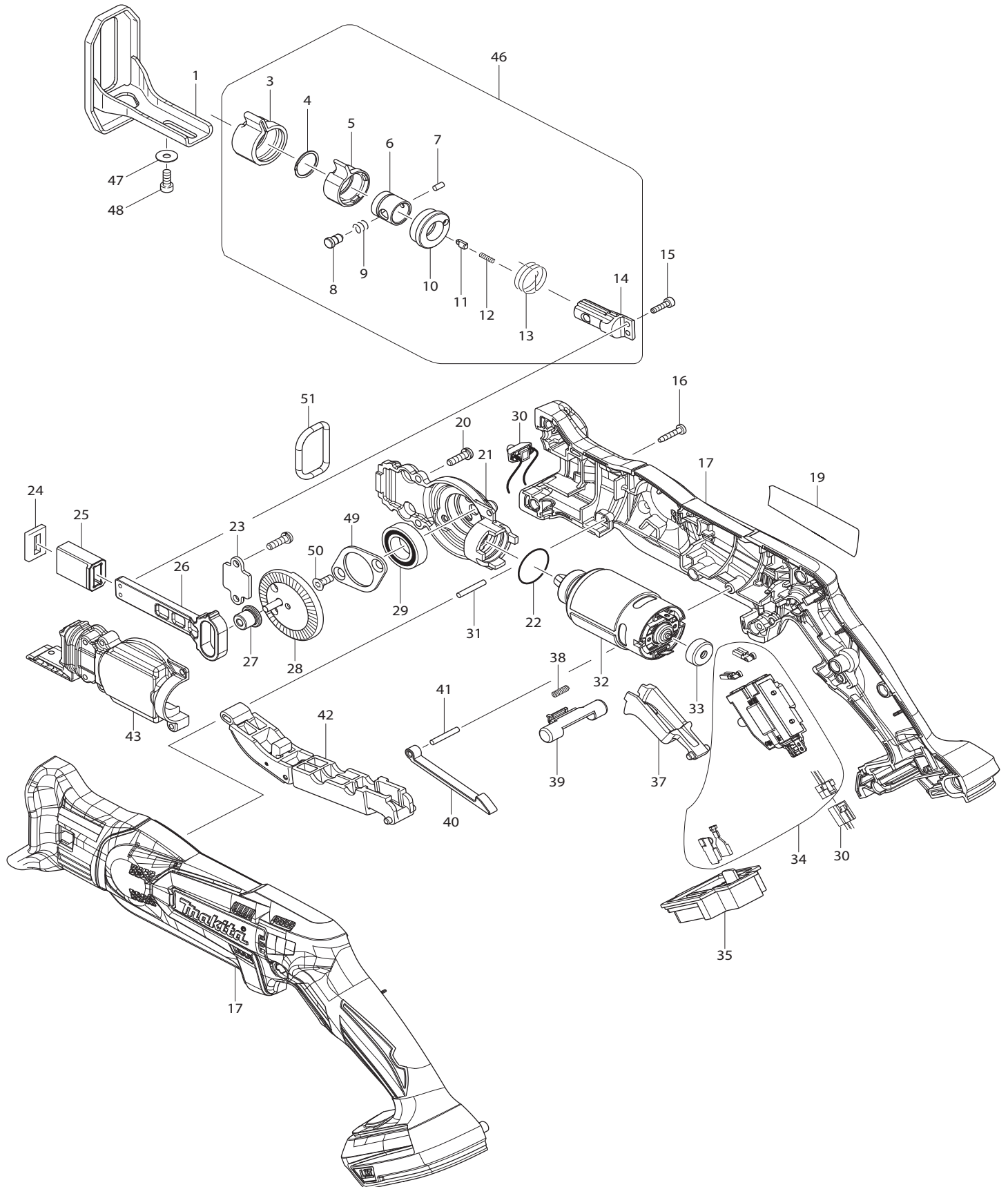




12 - 2013  
DJR183Z  
18V RECIPRO SAW



## PARTS LIST

Item No	Type	Part No	Description	Qty	Unit
001		165740-8	SHOE	1	PC.
003		424466-4	PROTECTOR	1	PC.
004		257981-1	RETAINING RING (EXT)16	1	PC.
005		310496-0	DRIVING SLEEVE	1	PC.
006		331963-2	GUIDE SLEEVE	1	PC.
007		268094-3	PIN 3	1	PC.
008		256492-3	SHOULDER PIN 5	1	PC.
009		233345-3	COMPRESSION SPRING 6	1	PC.
010		453071-0	CONNECTING SLEEVE	1	PC.
011	3	310912-2	* PUSH PIN	1	PC.
012	2	232472-3	* COMPRESSION SPRING 2	1	PC.
013		233594-2	TORTION SPRING 17	1	PC.
014		326113-2	BLADE GUIDE	1	PC.
015	1	265910-0	HEX. SOCKET HEAD BOLT M3X12	2	PC.
015	2	265D80-9	HEX. SOCKET HEAD BOLT M3X10	2	PC.
016		266429-2	TAPPING SCREW 3X16	10	PC.
017		187760-2	HOUSING SET	1	SET
017	INC.	263005-3	RUBBER PIN 6	2	PC.
017	INC.	423475-0	SPONGE SHEET	1	PC.
019		814V98-1	NAME PLATE F/DJR183	1	PC.
020		266747-8	PAN HEAD SCREW M4X14 WITH WM	5	PC.
021		319060-4	GEAR HOUSING	1	PC.
022		213961-7	O RING 22	1	PC.
023		346525-3	PLATE	1	PC.
024		443185-3	FELT SEAL	1	PC.
025		313220-0	SLIDER GUIDE	1	PC.
026		313271-3	SLIDER	1	PC.
027		313270-5	COLLARED SLEEVE 4	1	PC.
028	1	142284-5	* GEAR COMPLETE	1	PC.
028	2	1410R5-8	* GEAR COMPLETE	1	PC.
029		211242-3	BALL BEARING 6902ZZ	1	PC.
030		620237-9	LED CIRCUIT	1	PC.
031		256158-5	PIN 3	1	PC.
032	1	629105-3	* DC MOTOR	1	PC.
032	2	629C91-6	* DC MOTOR	1	PC.
033		424467-2	CAP	1	PC.
034		650712-1	SWITCH C3HY-1A-PRLMS	1	PC.
035		643852-2	TERMINAL	1	PC.

Item No	Type	Part No	Description	Qty	Unit
037		453072-8	SWITCH LEVER R	1	PC.
038		233438-6	COMPRESSION SPRING 4	1	PC.
039		454661-2	LOCK OFF LEVER R	1	PC.
040		313219-5	LINK	1	PC.
041		256158-5	PIN 3	1	PC.
042		141128-6	SWITCH LEVER F COMPLETE	1	PC.
043		319061-2	GEAR HOUSING COVER	1	PC.
046		126201-3	BLADE CLAMP ASSEMBLY	1	PC.
046	INC.		Item. 3-14		
047		253874-0	FLAT WASHER 4	1	PC.
048		922112-8	HEX. SOCKET HEAD BOLT M4X10	1	PC.
049		285738-0	BEARING RETAINER 36	1	PC.
050		265035-0	COUNTERSUNK HEAD SCREW M4X10	2	PC.
051		424597-9	RUBBER RING 23	1	PC.
A01		B-20432	RECIPROSAW BLADE 100MM F/WOOD	1	PC.
A03		783201-2	HEX. WRENCH 3	1	PC.
A04		723063-A-5	RECIPROSAW BLADE BIM 18T 4" 5PK, F/METAL	1	PC.
A04		723062-A-5	RECIPROSAW BLADE BIM 14T 4" 5PK	1	PC.
A04		723061-A-5	RECIPROSAW BLADE 18T 6" 5PK	1	PC.
A04		E-10693	RECIPROSAW BLADE 3PC KIT	1	KIT
A04		B-20454	RECIPROSAW BLADE BIM 14/18T 4" 5P	1	PC.
A05		194205-3	18V LI-ION BATTERY BL1830	1	PC.
A06		DC18RC	RAPID CHARGER DC18RC	1	PC.
A07		450128-8	BATTERY COVER	1	PC.
A07		194649-7	BATTERY PROTECTOR	1	PC.
A08		A-40945	ROUND FILE 3PC/SET	1	SET
A08		A-40951	FLAT FILE	1	PC.
A08		A-40967	SANDING ADAPTOR	1	PC.
A08		B-04977	SANDING PAPER WA60 10PK	1	PK
A08		B-04983	SANDING PAPER WA120 10PK	1	PK
E01		802D38-3	CAUTION LABEL, SP, FR	1	PC.

## SERVICE CHANGES: DJR183

### 1. Changes on Push Pin and Compression Spring 2

(T/I#C0312) (T/I#C5468)

Item No.	Description	Type 1	Type 2	Type 3
011	Push Pin	310495-2	310859-0	310912-2
012	Compression Spring 2	233025-1		232472-3

Above parts are completely interchangeable as a set.

### 2. Changes on Gear complete and DC motors (T/I#DU283)

Item No.	Description	Type 1	Type 2
28	GEAR COMPLETE	142284-5	1410R5-8
32	DC MOTOR	629105-3	629C91-6

Above parts are completely interchangeable as a set.

[1] Change of Gear complete  
[2] - [6]: Change of DC motor

